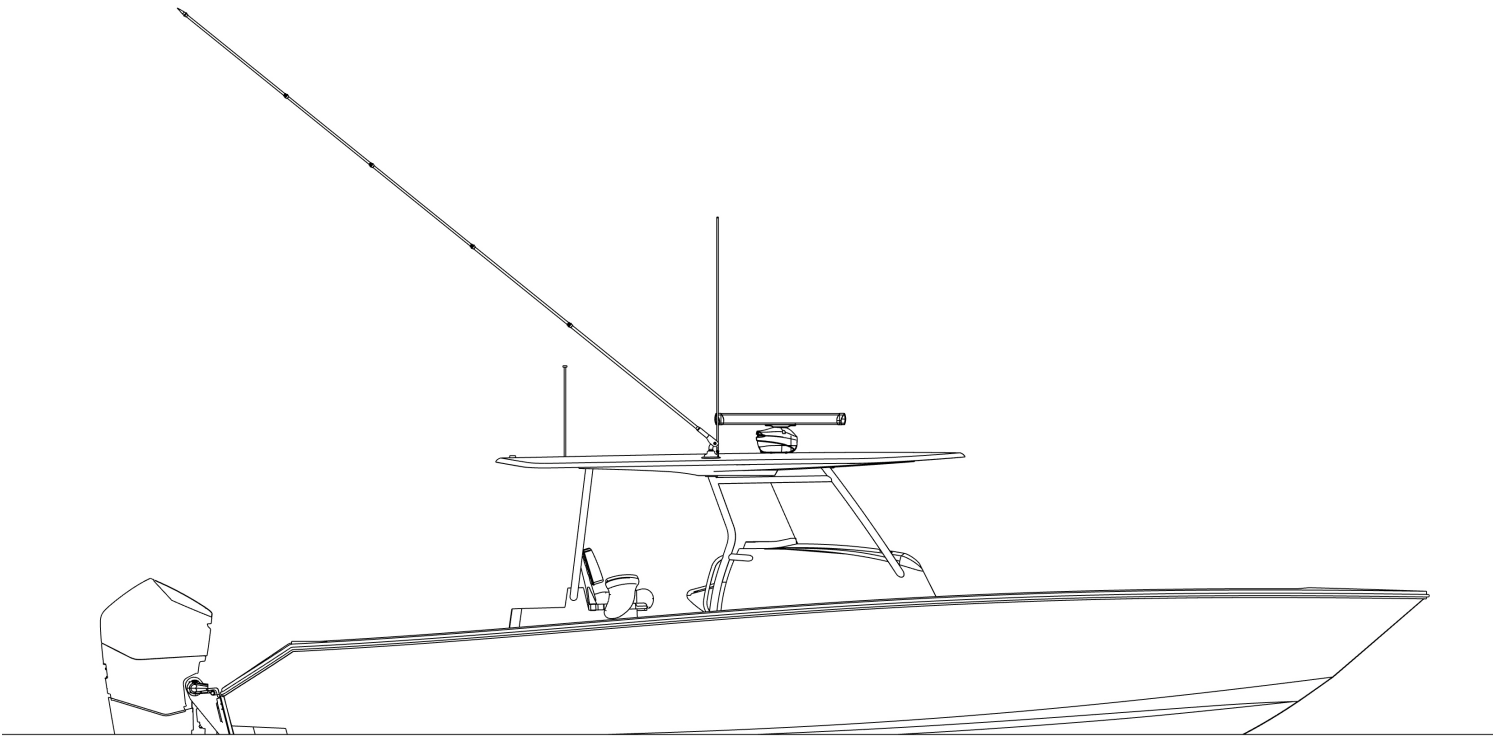


# JUPITER

## 40



### 2022 MODEL YEAR SPECIFICATIONS STANDARD EQUIPMENT PLAN VIEW

VERSION 1.0

EFFECTIVE JULY 1, 2021 - JUNE 30, 2022



## STANDARD EQUIPMENT & FEATURES

### COCKPIT

- Forward Port & Starboard Seating with Molded in Backrests, plus Release Backrests
- 360° Coaming Pads
- Stainless Steel Trim Tabs with Indicator
- (3) Bilge Pumps, (1) FWD Cabin, (2) AFT Bilge, Automatic Float Switch
- Cockpit Cleats with Hawspipe
- Oversized AFT Cockpit Scuppers
- Transom Seat with Backrest and 45GL Livewell
- Port Hullside Dive Door with Removable Folding Ladder
- Telescoping Reboarding Ladder in Port Side Transom
- AFT Facing Mezzanine Bench with Fold Down Tackle Station and 48GL Cooler/Bait Freezer
- Stainless Hardware Thru Bolted
- Molded Non-skid Horizontal Surfaces
- Thru Stem Bow Roller with Anchor Windlass, Fresh Water washdown
- FWD Center 126 GL Fishbox with Macerator Pump
- P&S AFT 100 GL Fishboxes with Macerator Pumps
- Centralized Stainless Steel Seawater Manifold with Basket Strainers
- Livewell Pumps
- Drink Cooler FWD End of Console Seat
- Double Wide FWD Console Lounge Seating with Teak Accents
- Full Coverage T-Top with Electronics Box, Lumitec Mirage Spectrum Lighting, and Aluminum Framework with 6 Rod Holders
- GEM Outrigger Bases with 22' Carbon Poles

### CABIN INTERIOR/EXTERIOR

- Premium Interior Package: Indian Teak Veneer with Solid Teak Accents, Armrests, and Stair Treads
- Separated Stand Up Head Compartment with Electric Porcelain Head, Hot & Cold Shower, Teak Grate Sole
- Molded In Dry Storage below P&S Berth Seats
- Limestone Prima Vanity Cabinet with Hot & Cold Vessel Sink, Large Mirror with Medicine Cabinet
- Galley with Microwave & Storage
- Molded Gel Headliner with P&S Portlights
- CO2 Detector
- Courtesy LED Lights
- Bilge High Water Alarm
- Sleeping Accommodations (2)
- Silvertex Plata Interior Upholstery with Marine Blue Throw Pillows
- Hanging Locker Storage
- GFI 110v Outlet

### CONSOLE

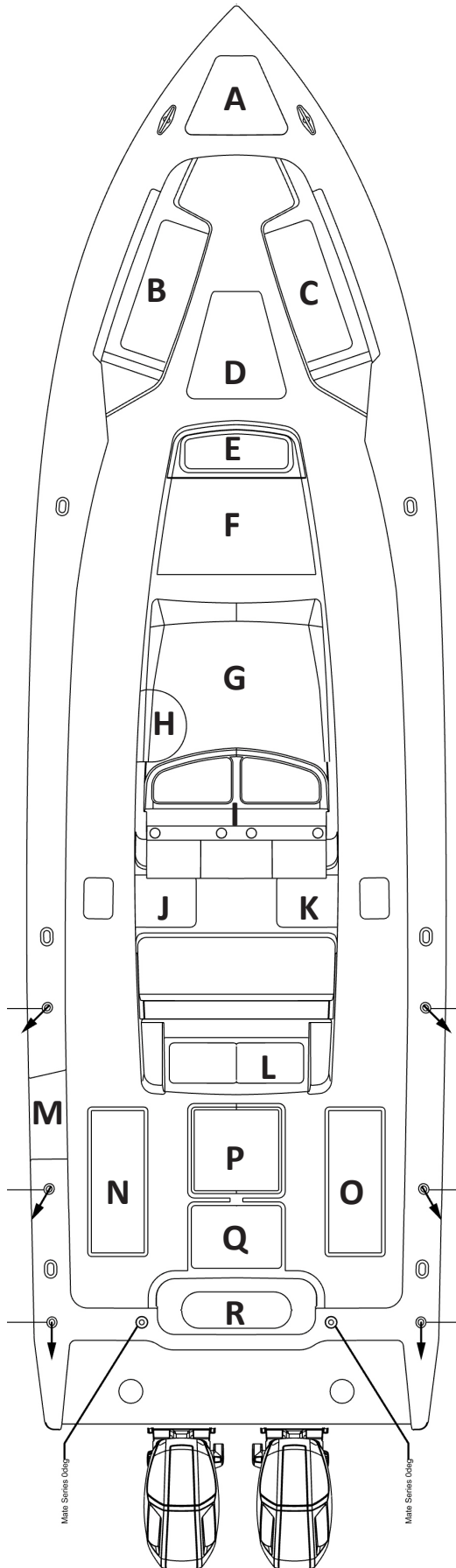
- Release Marine (3) Seater Fixed Teak Helm Bench
- Fixed Curved Windshield
- Release Marine Cupholders
- Raised Helm Platform with Footrests
- Edson Black Wheel with Power knob
- White Powder Coat
- Richie Supersport Compass
- Fusion MS-RA 770 Head Unit
- JL Audio Speaker & Amp Package

### ELECTRICAL & MECHANICAL

- Toe-kick Console LED RGBW lighting
- USB Charging Ports
- Lighting in Storage Boxes
- 240v AC/12v DC Breaker Panels
- Garmin Empirbus Digital Switching
- Glove Boxes with Fiberglass Lids
- 50 Amp 110/220 Dockside Power
- BEP Smart Battery Hub
- (6) HD AGM Batteries
- (2) Battery Chargers
- Mercury VesselView703 or Yamaha CL7 Display
- Reverso Engine Flush

### CONSTRUCTION

- Closed Cell PVC Foam Coring
- Deck Mechanically Fastened and Fiberglass Bonded to Hull
- Fiberglass Uni-Grid Stringer System
- Vacuum-Infused Vinyl Ester Construction
- Hi-Tech Composite PVC Foam Coring
- Inner Liner Integrally Bonded to Hull
- No Wood-No Rot Laminated Design
- Posi-Stern™ Hull Pad Design
- Ceramic Poured Transom
- Foam Filled Fiberglass Uni-grid Stringer System
- Entire Hull Infused Biaxial and Quad Cored Bottom



Drawings are not to scale and are intended to show layouts only.

## SPECIFICATIONS

LOA, HULL	39'11"
BEAM	11'11"
BRIDGE CLEARANCE WITH STND T-TOP	12'
DRAFT MOTORS UP/DOWN	2'0" / 3'3"
FUEL CAPACITY, STANDARD	500 GALLONS
DIESEL	20 GALLONS
DRY WEIGHT WITH ENGINES	16,000 LBS
DRY WEIGHT WITH ENGINES FULL	22,000 LBS
HOLDING TANK WITH OVERBOARD DISCHARGE THRU-HULL	15 GALLONS
WATER CAPACITY	50 GALLONS
DEADRISE	24°
MAX HP RATING	1,350 HP
SLEEPING CAPACITY	2 PERSONS
GENERATOR DIESEL	6.5KW
WATER HEATER	6.5 GALLONS 240V

## FEATURES

A	ANCHOR LOCKER
B	BOW SEAT STORAGE, PORT
C	BOW SEAT STORAGE, STBD
D	STORAGE
E	BOW COOLER
F	SUN LOUNGE
G	CABIN
H	CABIN ACCESS
I	HELM (2) 17' SCREENS, (1) 22' SCREEN
J	STORAGE LOCKER, PORT
K	STORAGE LOCKER, STBD
L	REFRIGERATOR /FREEZER
M	SWING IN DIVE DOOR, PORT
N	FISH BOX, PORT
O	FISH BOX, STBD
P	SEAKEEPER (OPTIONAL)
Q	BILGE ACCESS
R	LIVWELL